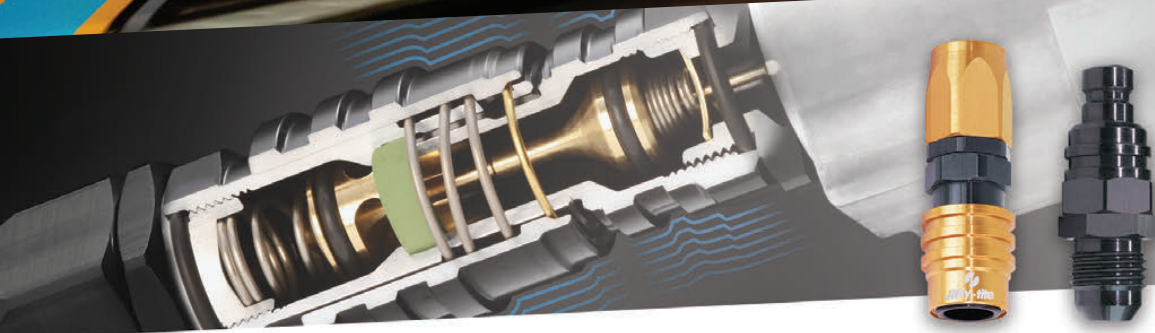


Jiffy-tite Motorsports

Quick Connect / Disconnect Fluid Fittings

Plumbing. Simplified.



How to select your
Jiffy-tite fittings
- See page 2

**Quick Connect / Disconnect
with No Tools!**

- Transmission & Engine Chillers unless specified otherwise
- Fuel lines (alcohol, E85, pump gas, diesel, etc.)

**High Flow Valve Feature
Minimum Flow Restriction**

- Transmission lines
- Fuel drain or check ports
- Filter or pump connections

**Easy to Plumb
Identical to Traditional Fittings**



motorsports.jiffy-tite.com

An Oetiker Company



The Fast, Safe & Reliable Fitting Jiffy-tite Motorsports Product Line by Oetiker

Oetiker's high-performing connecting and assembly solutions provide peace of mind for automotive, commercial and industrial markets. Oetiker quality and reliability ensures customers meet the most demanding specifications for their applications. With 80+ years of experience, global engineering teams and 13 manufacturing facilities, Oetiker delivers a trusted connection solution tailored to customer specific needs.

In March 2016, Oetiker Group acquired Jiffy-tite in order to leverage the high-quality Jiffy-tite products and brand with the Oetiker peace of mind and global reach.

The Jiffy-tite Motorsports product line is designed for racers by racers. These revolutionary quick connect / disconnect fittings provide unsurpassed performance under extreme racing conditions and can replace nearly any fitting in any location. Made of lightweight, high quality aircraft aluminum with brass valves and stainless-steel ball bearings, Jiffy-tite fittings are lightweight and corrosion resistant for long life.

Most importantly, the Jiffy-tite quick connect / disconnect state-of-the-art technology provides far better seal integrity than any other product on the market. Unlike threaded fittings, which always present a risk for fluid leaks or hot oil spills, the Jiffy-tite products unique design provides a 100% leak proof seal. Even when disconnected, both fittings prevent leakage.



Reliable Connections

DISCOVER THE JIFFY-TITE ADVANTAGE

- 100% leak-proof, when connected or disconnected, both connectors prevent fluid leakage
- High flow, minimum restriction
- Easily connects or disconnects by hand in seconds – no tools needed!
- Automatic shut-off when disconnected provides added safety feature
- Lightweight
- Excellent wear resistance
- Ruggedly constructed from 6061-T6 aluminum with brass valves and stainless steel bearings
- Ribbed collar provides slip-proof use
- 360° swivel
- Available for virtually any fuel, water, oil, or transmission applications
- Replaces any fitting in any location
- Sockets are available in black or gold anodized finish
- Ideal for fuel sampling
- Available valved or non-valved
- Fluid flows bi-directionally through both the socket and the plug
- Made in the USA

Fast and Easy to Use

Quick connect fittings connect or disconnect in seconds without requiring any tools.

To connect, pull back on the socket collar, insert the plug and release the collar.

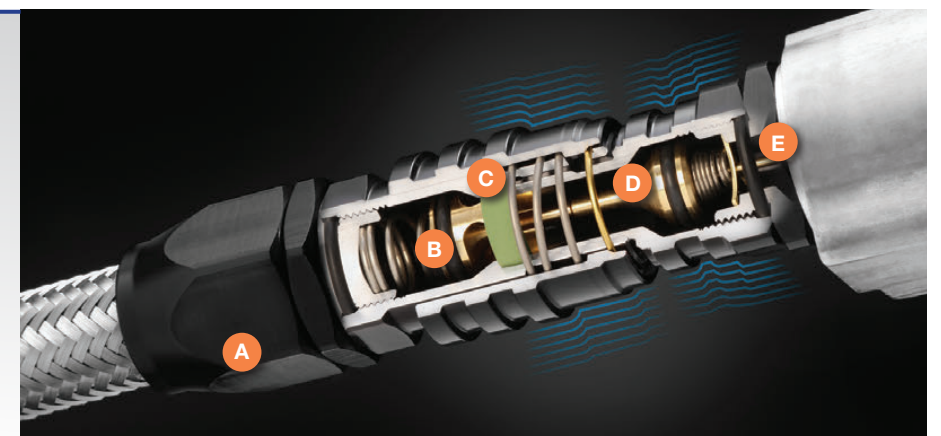
To disconnect, pull back on the socket collar. The spring-loaded valve will release the male plug. Valved technology on both the socket and the plug provide a 100% leak-proof seal, with minimum flow restriction for virtually any fuel, water, oil, or transmission system on the market today. The ribbed collar ensures a slip-proof connection.

With Jiffy-tite, you can avoid these common problems associated with traditional threaded fittings:

1. Stripping
2. Cross-threading
3. Over-tightening, leading to breakage
4. Forgetting to tighten
5. Stripping the hex, by using the incorrect tool
6. Scratching the fitting with frequent wrenching, destroying the aesthetics of the fitting

Valve Components

- A** Socket Adapter
- B** Brass Socket Valve Assembly
- C** Socket Face Seal
- D** Brass Plug Valve Assembly
- E** Plug Adapter



Jiffy-tite Quick Connect / Disconnect components are comprised of aluminum, brass, or stainless steel materials. O-rings and seals are application specific.

HOW TO SELECT A JIFFY-TITE CONNECTION

Select your Jiffy-tite Connection in three easy steps!

1. Select Your Series

2000 — Page 8

From size ranges -3 to -6 or 1/8" to 1/4" NPT

3000 — Page 18

From size ranges -6 to -8 or 1/4" to 3/8" NPT

5000 — Page 27

From size ranges -8 to -12 and or 3/8" to 3/4" NPT

2. Select a Plug and Socket — With or Without Valve Technology

Jiffy-tite designates all male connectors as plugs and all female connectors as sockets. All plug and sockets are interchangeable within the same series. A plug and socket are both required to complete the quick connect / disconnect.

Jiffy-tite standard quick connect / disconnect products come with high-flow, minimal restriction valves. Products without the valve technology are available.



Notes:

- Socket and plug need to both be valved or both non-valved.
- Fluid can flow bi-directionally
- Different series connectors are not interchangeable (e.g. a 2000 series will not work with a 3000 series)

3. Select a Seal Material

Jiffy-tite quick connect / disconnect products come with a selection of seal materials. Choose the appropriate seal material that will be compatible with the fluid used.



FLUOROCARBON (FKM) SEAL

Oil, Transmission Fluid, Water, E85 (Ethanol Fuel Blend), Gasoline, diesel



ETHYLENE PROPYLENE (EPDM) SEAL

Nitromethane Ethanol (Ethyl Alcohol), Brake Fluid, Glycol, Methanol (Methyl Alcohol)



NITRILE (NBR) SEAL

Alcohol (Fuel), Oxygenated Fuel

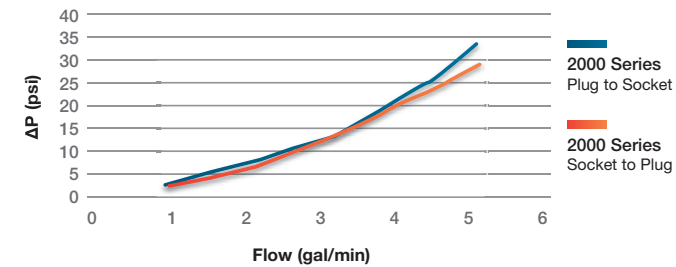
► TECH TIP

When looking to use a 45° or 90° elbow, try to use the elbow where the hose connection interface is. This allows the connection to swivel 360° for better orientation. If the elbow is used on the threaded side, the elbow will be fixed when the thread bottoms out and may not be ideal.

SPECS

2000 SERIES

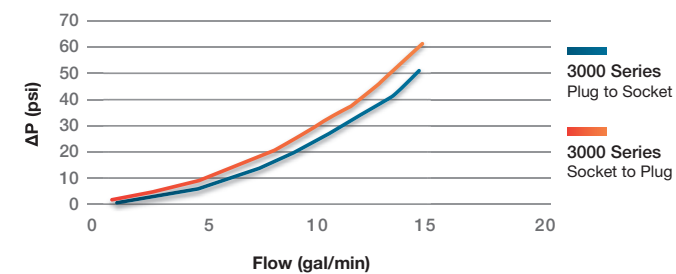
Quick Connect / Disconnect Pressure Drop



Jiffy-tite Quick Connect Fluid Fittings using standard stoddard solvent with a specific gravity of .750 and 80° fluid temperature through a -6AN hose. Refer to page 8.

3000 SERIES

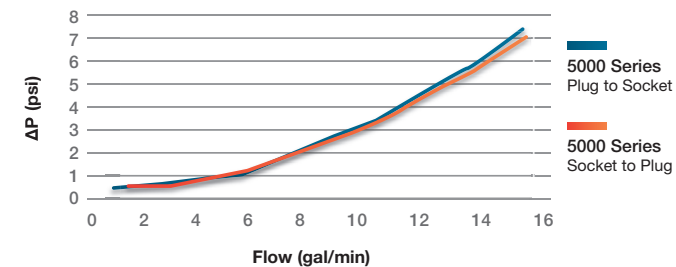
Quick Connect / Disconnect Pressure Drop



Jiffy-tite Quick Connect Fluid Fittings using standard stoddard solvent with a specific gravity of .750 and 80° fluid temperature through a -8AN hose. Refer to page 18.

5000 SERIES

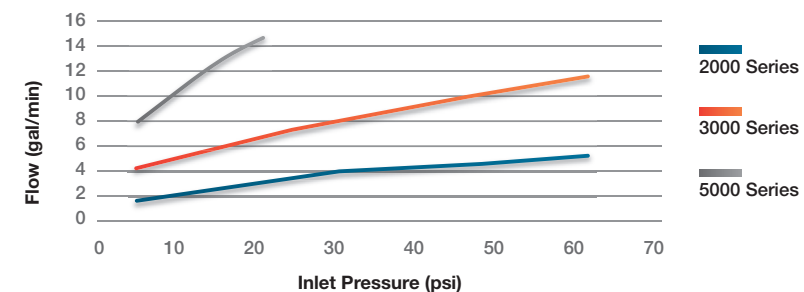
Quick Connect / Disconnect Pressure Drop



Jiffy-tite Quick Connect Fluid Fittings using standard stoddard solvent with a specific gravity of .750 and 80° fluid temperature through a -10AN hose. Refer to page 27.

QUICK CONNECT / DISCONNECT

Flow Rates



PRESSURE

Maximum Operating Pressure: 200 PSI
1.36 MPa

TEMPERATURE

-40° - 350° Fahrenheit
-40° - 177° Celsius

AN HOSE BARB

Pictures below do not represent actual barb size. Please reference the AN barb size with the corresponding AN hose size. Dimensions are in inches.



AN SIZE	HOSE BARB OUTER DIAMETER	HOSE ID
-4AN	0.259	0.141
-6AN	0.420	0.250
-8AN	0.468	0.328
-10AN	0.600	0.438
-12AN	0.725	0.547

PUSH-TO-LOCK HOSE BARB

Pictures below do not represent actual barb size. Please reference the Push-To-Lock barb size with the corresponding Push-To-Lock hose size. Dimensions are in inches.



PUSH-TO-LOCK BARB SIZE	PUSH TO LOCK BARB OUTER DIAMETER	HOSE BARB ID
-4	0.344	0.188
-6	0.468	0.250
-8	0.600	0.406
-10	0.727	0.500
-12	0.860	0.609

REUSABLE HOSE NUT END

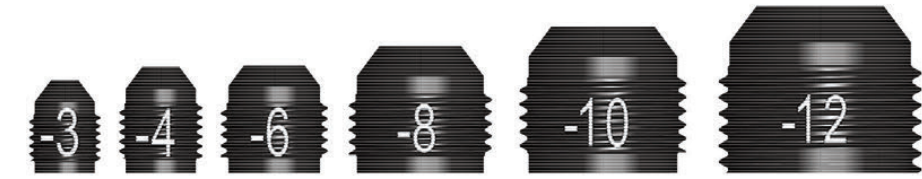
Pictures below do not represent actual barb size. Please reference the AN barb size with the corresponding AN hose size. Dimensions are in inches.



ADAPTER SIZE	MATING HOSE
-4AN	-4AN
-6AN	-6AN
-8AN	-8AN
-10AN	-10AN
-12AN	-12AN

AN 37° THREAD SIZES

Pictured below are actual sizes of common AN thread sizes. To determine what size fitting you have, lay your fitting over the appropriate drawing.



AN SIZE	METAL TUBE O.D.	THREAD SIZE
-3	3/16"	3/8-24 UNF
-4	1/4"	7/16-20 UNF
-6	3/8"	9/16-18 UNF
-8	1/2"	3/4-16 UNF
-10	5/8"	7/8-14 UNF
-12	3/4"	1-1/16-12 UN

NPT PIPE THREADS

Pictured below are actual sizes of common NPT thread sizes. To determine what size fitting you have, lay your fitting over the appropriate drawing.



NPT PIPE THREAD SIZE	THREADS PER INCH	FITTING I.D.	CLOSEST AN FITTING SIZE
1/8"	27	1/8"	-4
1/4"	18	1/4"	-6
3/8"	18	3/8"	-8
1/2"	14	1/2"	-10
3/4"	14	3/4"	-12

MALE O-RING BOSS SEAL (ORB) THREAD SIZES

Pictured below are actual sizes of common SAE male o-ring boss seal thread sizes. To determine what size fitting you have, lay your fitting over the appropriate drawing.



AN SIZE	METAL TUBE O.D.	THREAD SIZE
-4	1/4"	7/16-20 UNF
-6	3/8"	9/16-18 UNF
-8	1/2"	3/4-16 UNF
-10	5/8"	7/8-14 UNF
-12	3/4"	1-1/16-12 UN

SEAL COMPATABILITY



FLUOROCARBON (FKM) SEAL

Oil	Transmission Fluid
Water	E85 (Ethanol Fuel Blend)
Fuel	Diesel



ETHYLENE PROPYLENE (EPDM) SEAL

Nitromethane	Ethanol (Ethyl Alcohol)
Brake Fluid	Glycol
Methanol (Methyl Alcohol)	



NITRILE (NBR) SEAL

Alcohol (Fuel)
Oxygenated Fuel

*Note: these fittings should not be used on brake lines.

► TECH TIP

How to identify your seal compatibility: Matching the colors of the seal to the color of the seal on the page, as well as to your part number.



2000 SERIES

SOCKETS PLUGS



2000 SERIES

2000 Series are available in the following sizes:

- -3 AN to -6 AN 37° Male and Female
- 1/8" to 1/4" Male and Female NPT
- -3 AN to -6 AN Hose Barb
- -4 to -6 Push-to-Lock Hose Barb
- -4 AN to -6 AN Reusable Nut Hose End
- -4 to -6 Male O-ring Boss Seal

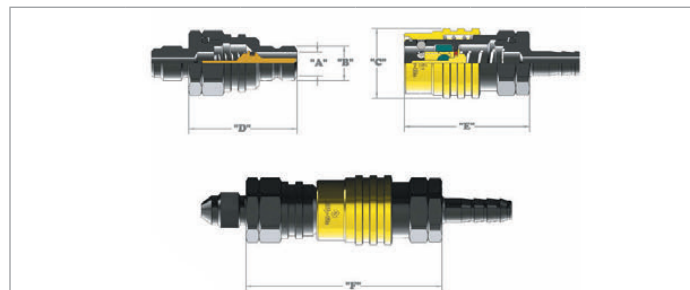
All 2000 series are available in straight, 45° and 90°.

All fittings are also available non-valved to allow for a 100% flow through application.

Caps, plugs, and C-clips are also available.

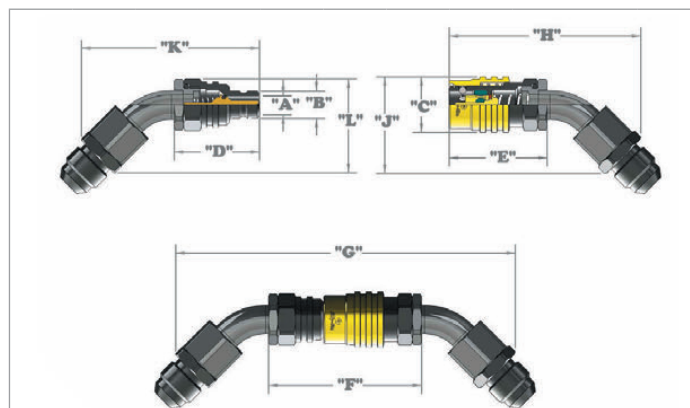
All sockets and plugs in the same series are interchangeable.

DIMENSIONS



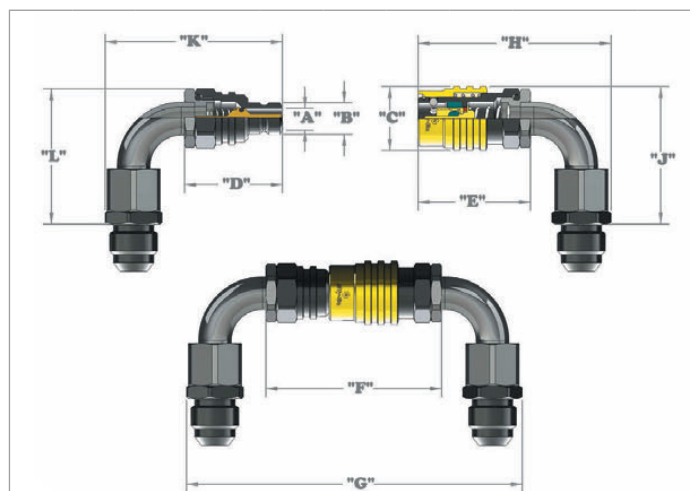
STRAIGHT 2000 SERIES

A	B	C	D	E	F
.24	.37	.75	1.17	1.35	2.13



45° 2000 SERIES

A	B	C	D	E	F	G	H	J	K	L
.24	.37	.75	1.15	1.32	2.07	4.61	2.61	1.30	2.42	1.27



90° 2000 SERIES

A	B	C	D	E	F	G	H	J	K	L
.24	.37	.75	1.15	1.32	2.07	3.96	2.21	1.62	2.10	1.59

SOCKETS SERIES 2000

All sockets and plugs in the same series are interchangeable

2000 Series Socket & Plug Cap

MS2000P Fits Any 2000 Series Socket or Plug



Male O-Ring Boss Seal (ORB) Straight - Gold

Size	FKM	Nitrile	EPDM	Non-Valve FKM	Non-Valve Nitrile	Non-Valve EPDM
-4	21104	21104B	21104F	21104A	21104C	21104AF
-6	21106	21106B	21106F	21106A	21106C	21106AF

*Elbows are not recommended for threaded connectors that do not swivel. See elbow Tech Tip on page 2.



Male O-Ring Boss Seal (ORB) Straight - Black

Size	FKM	Nitrile	EPDM	Non-Valve FKM	Non-Valve Nitrile	Non-Valve EPDM
-4	21104J	21104BJ	21104FJ	21104AJ	21104CJ	21104AFJ
-6	21106J	21106BJ	21106FJ	21106AJ	21106CJ	21106AFJ

*Elbows are not recommended for threaded connectors that do not swivel. See elbow Tech Tip on page 2.



Female 37° AN Straight - Gold

Size	FKM	Nitrile	EPDM	Non-Valve FKM	Non-Valve Nitrile	Non-Valve EPDM
-4 AN	21304	21304B	21304F	21304A	21304C	21304AF
-6 AN	21306	21306B	21306F	21306A	21306C	21306AF



Female 37° AN 45° - Gold - Swivel

Size	FKM	Nitrile	EPDM	Non-Valve FKM	Non-Valve Nitrile	Non-Valve EPDM
-4 AN	21304D	21304BD	21304FD	21304AD	21304CD	21304AFD
-6 AN	21306D	21306BD	21306FD	21306AD	21306CD	21306AFD



Female 37° AN 90° - Gold - Swivel

Size	FKM	Nitrile	EPDM	Non-Valve FKM	Non-Valve Nitrile	Non-Valve EPDM
-4 AN	21304E	21304BE	21304FE	21304AE	21304CE	21304AFE
-6 AN	21306E	21306BE	21306FE	21306AE	21306CE	21306AFE



Female 37° AN Straight - Black

Size	FKM	Nitrile	EPDM	Non-Valve FKM	Non-Valve Nitrile	Non-Valve EPDM
-4 AN	21304J	21304BJ	21304FJ	21304AJ	21304CJ	21304AFJ
-6 AN	21306J	21306BJ	21306FJ	21306AJ	21306CJ	21306AFJ



SOCKETS SERIES 2000

All sockets and plugs in the same series are interchangeable



Female 37° AN 45° - Black - Swivel

Size	FKM	Nitrile	EPDM	Non-Valve FKM	Non-Valve Nitrile	Non-Valve EPDM
-4 AN	21304JD	21304BJD	21304FJD	21304AJD	21304CJD	21304AFJD
-6 AN	21306JD	21306BJD	21306FJD	21306AJD	21306CJD	21306AFJD



Female 37° AN 90° - Black - Swivel

Size	FKM	Nitrile	EPDM	Non-Valve FKM	Non-Valve Nitrile	Non-Valve EPDM
-4 AN	21304JE	21304BJE	21304FJE	21304AJE	21304CJE	21304AFJE
-6 AN	21306JE	21306BJE	21306FJE	21306AJE	21306CJE	21306AFJE



Male 37° AN Straight - Gold

Size	FKM	Nitrile	EPDM	Non-Valve FKM	Non-Valve Nitrile	Non-Valve EPDM
-3 AN	21403	21403B	21403F	21403A	21403C	21403AF
-4 AN	21404	21404B	21404F	21404A	21404C	21404AF
-6 AN	21406	21406B	21406F	21406A	21406C	21406AF

* Elbows are not recommended for threaded connectors that do not swivel.
See elbow Tech Tip on page 2.



Male 37° AN Straight - Black

Size	FKM	Nitrile	EPDM	Non-Valve FKM	Non-Valve Nitrile	Non-Valve EPDM
-3 AN	21403J	21403BJ	21403FJ	21403AJ	21403CJ	21403AFJ
-4 AN	21404J	21404BJ	21404FJ	21404AJ	21404CJ	21404AFJ
-6 AN	21406J	21406BJ	21406FJ	21406AJ	21406CJ	21406AFJ

* Elbows are not recommended for threaded connectors that do not swivel.
See elbow Tech Tip on page 2.



Hose Barb Straight - Gold

Size	FKM	Nitrile	EPDM	Non-Valve FKM	Non-Valve Nitrile	Non-Valve EPDM
-3 AN	21503	21503B	21503F	21503A	21503C	21503AF
-4 AN	21504	21504B	21504F	21504A	21504C	21504AF
-5 AN	21505	21505B	21505F	21505A	21505C	21505AF
-6 AN	21506	21506B	21506F	21506A	21506C	21506AF



Hose Barb 45° - Gold

Size	FKM	Nitrile	EPDM	Non-Valve FKM	Non-Valve Nitrile	Non-Valve EPDM
-3 AN	21503D	21503BD	21503FD	21503AD	21503CD	21503AFD
-4 AN	21504D	21504BD	21504FD	21504AD	21504CD	21504AFD
-5 AN	21505D	21505BD	21505FD	21505AD	21505CD	21505AFD
-6 AN	21506D	21506BD	21506FD	21506AD	21506CD	21506AFD



Hose Barb 90° - Gold

Size	FKM	Nitrile	EPDM	Non-Valve FKM	Non-Valve Nitrile	Non-Valve EPDM
-3 AN	21503E	21503BE	21503FE	21503AE	21503CE	21503AFE
-4 AN	21504E	21504BE	21504FE	21504AE	21504CE	21504AFE
-5 AN	21505E	21505BE	21505FE	21505AE	21505CE	21505AFE
-6 AN	21506E	21506BE	21506FE	21506AE	21506CE	21506AFE



Hose Barb Straight - Black

Size	FKM	Nitrile	EPDM	Non-Valve FKM	Non-Valve Nitrile	Non-Valve EPDM
-3 AN	21503J	21503BJ	21503FJ	21503AJ	21503CJ	21503AFJ
-4 AN	21504J	21504BJ	21504FJ	21504AJ	21504CJ	21504AFJ
-5 AN	21505J	21505BJ	21505FJ	21505AJ	21505CJ	21505AFJ
-6 AN	21506J	21506BJ	21506FJ	21506AJ	21506CJ	21506AFJ



Hose Barb 45° - Black

Size	FKM	Nitrile	EPDM	Non-Valve FKM	Non-Valve Nitrile	Non-Valve EPDM
-3 AN	21503JD	21503BJD	21503FJD	21503AJD	21503CJD	21503AFJD
-4 AN	21504JD	21504BJD	21504FJD	21504AJD	21504CJD	21504AFJD
-5 AN	21505JD	21505BJD	21505FJD	21505AJD	21505CJD	21505AFJD
-6 AN	21506JD	21506BJD	21506FJD	21506AJD	21506CJD	21506AFJD



Hose Barb 90° - Black

Size	FKM	Nitrile	EPDM	Non-Valve FKM	Non-Valve Nitrile	Non-Valve EPDM
-3 AN	21503JE	21503BJE	21503FJE	21503AJE	21503CJE	21503AFJE
-4 AN	21504JE	21504BJE	21504FJE	21504AJE	21504CJE	21504AFJE
-5 AN	21505JE	21505BJE	21505FJE	21505AJE	21505CJE	21505AFJE
-6 AN	21506JE	21506BJE	21506FJE	21506AJE	21506CJE	21506AFJE



Push-To-Lock Hose Barb Straight - Gold

Size	FKM	Nitrile	EPDM	Non-Valve FKM	Non-Valve Nitrile	Non-Valve EPDM
-4	21504P	21504BP	21504FP	21504AP	21504CP	21504AFP
-6	21506P	21506BP	21506FP	21506AP	21506CP	21506AFP



Push-To-Lock Hose Barb 45° - Gold

Size	FKM	Nitrile	EPDM	Non-Valve FKM	Non-Valve Nitrile	Non-Valve EPDM
-4	21504PD	21504BPD	21504FPD	21504APD	21504CPD	21504AFPD
-6	21506PD	21506BPD	21506FPD	21506APD	21506CPD	21506AFPD



Push-To-Lock Hose Barb 90° - Gold

Size	FKM	Nitrile	EPDM	Non-Valve FKM	Non-Valve Nitrile	Non-Valve EPDM
-4	21504PE	21504BPE	21504FPE	21504APE	21504CPE	21504AFPE
-6	21506PE	21506BPE	21506FPE	21506APE	21506CPE	21506AFPE



Push-To-Lock Hose Barb Straight - Black

Size	FKM	Nitrile	EPDM	Non-Valve FKM	Non-Valve Nitrile	Non-Valve EPDM
-4	21504PJ	21504BPJ	21504FPJ	21504APJ	21504CPJ	21504AFPJ
-6	21506PJ	21506BPJ	21506FPJ	21506APJ	21506CPJ	21506AFPJ

SOCKETS SERIES 2000

All sockets and plugs in the same series are interchangeable



Push-To-Lock Hose Barb 45° - Black

Size	FKM	Nitrile	EPDM	Non-Valve FKM	Non-Valve Nitrile	Non-Valve EPDM
-4	21504PJD	21504BPJD	21504FPJD	21504APJD	21504CPJD	21504AFPJD
-6	21506PJD	21506BPJD	21506FPJD	21506APJD	21506CPJD	21506AFPJD



Push-To-Lock Hose Barb 90° - Black

Size	FKM	Nitrile	EPDM	Non-Valve FKM	Non-Valve Nitrile	Non-Valve EPDM
-4	21504PJE	21504BPJE	21504FPJE	21504APJE	21504CPJE	21504AFPJE
-6	21506PJE	21506BPJE	21506FPJE	21506APJE	21506CPJE	21506AFPJE



Reusable Nut Hose End Straight - Gold

Size	FKM	Nitrile	EPDM	Non-Valve FKM	Non-Valve Nitrile	Non-Valve EPDM
-4 AN	21604	21604B	21604F	21604A	21604C	21604AF
-6 AN	21606	21606B	21606F	21606A	21606C	21606AF



Reusable Nut Hose End 45° - Gold

Size	FKM	Nitrile	EPDM	Non-Valve FKM	Non-Valve Nitrile	Non-Valve EPDM
-4 AN	21604D	21604BD	21604FD	21604AD	21604CD	21604AFD
-6 AN	21606D	21606BD	21606FD	21606AD	21606CD	21606AFD



Reusable Nut Hose End 90° - Gold

Size	FKM	Nitrile	EPDM	Non-Valve FKM	Non-Valve Nitrile	Non-Valve EPDM
-4 AN	21604E	21604BE	21604FE	21604AE	21604CE	21604AFE
-6 AN	21606E	21606BE	21606FE	21606AE	21606CE	21606AFE



Reusable Nut Hose Staright - Black

Size	FKM	Nitrile	EPDM	Non-Valve FKM	Non-Valve Nitrile	Non-Valve EPDM
-4 AN	21604J	21604BJ	21604FJ	21604AJ	21604CJ	21604AFJ
-6 AN	21606J	21606BJ	21606FJ	21606AJ	21606CJ	21606AFJ



Reusable Nut Hose End 45° - Black

Size	FKM	Nitrile	EPDM	Non-Valve FKM	Non-Valve Nitrile	Non-Valve EPDM
-4 AN	21604JD	21604BJD	21604FJD	21604AJD	21604CJD	21604AFJD
-6 AN	21606JD	21606BJD	21606FJD	21606AJD	21606CJD	21606AFJD



Reusable Nut Hose End 90° - Black

Size	FKM	Nitrile	EPDM	Non-Valve FKM	Non-Valve Nitrile	Non-Valve EPDM
-4 AN	21604JE	21604BJE	21604FJE	21604AJE	21604CJE	21604AFJE
-6 AN	21606JE	21606BJE	21606FJE	21606AJE	21606CJE	21606AFJE



Female NPT Straight - Gold

Size	FKM	Nitrile	EPDM	Non-Valve FKM	Non-Valve Nitrile	Non-Valve EPDM
1/8"	21702	21702B	21702F	21702A	21702C	21702AF
1/4"	21704	21704B	21704F	21704A	21704C	21704AF

*Elbows are not recommended for threaded connectors that do not swivel.
See elbow Tech Tip on page 2.



Female NPT Straight - Black

Size	FKM	Nitrile	EPDM	Non-Valve FKM	Non-Valve Nitrile	Non-Valve EPDM
1/8"	21702J	21702BJ	21702FJ	21702AJ	21702CJ	21702AFJ
1/4"	21704J	21704BJ	21704FJ	21704AJ	21704CJ	21704AFJ

*Elbows are not recommended for threaded connectors that do not swivel.
See elbow Tech Tip on page 2.



Male NPT Straight - Gold

Size	FKM	Nitrile	EPDM	Non-Valve FKM	Non-Valve Nitrile	Non-Valve EPDM
1/8"	21802	21802B	21802F	21802A	21802C	21802AF
1/4"	21804	21804B	21804F	21804A	21804C	21804AF

*Elbows are not recommended for threaded connectors that do not swivel.
See elbow Tech Tip on page 2.



Male NPT Straight - Black

Size	FKM	Nitrile	EPDM	Non-Valve FKM	Non-Valve Nitrile	Non-Valve EPDM
1/8"	21802J	21802BJ	21802FJ	21802AJ	21802CJ	21802AFJ
1/4"	21804J	21804BJ	21804FJ	21804AJ	21804CJ	21804AFJ

*Elbows are not recommended for threaded connectors that do not swivel.
See elbow Tech Tip on page 2.



PLUGS SERIES 2000

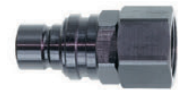
All sockets and plugs in the same series are interchangeable



Male O-Ring Boss Seal (ORB) Straight - Black

Size	FKM	Nitrile	EPDM	Non-Valve FKM	Non-Valve Nitrile	Non-Valve EPDM
-4	22104	22104B	22104F	22104A	22104C	22104AF
-6	22106	22106B	22106F	22106A	22106C	22106AF

*Elbows are not recommended for threaded connectors that do not swivel.
See elbow Tech Tip on page 2.



Female 37° AN Straight - Black

Size	FKM	Nitrile	EPDM	Non-Valve FKM	Non-Valve Nitrile	Non-Valve EPDM
-4 AN	22304	22304B	22304F	22304A	22304C	22304AF
-6 AN	22306	22306B	22306F	22306A	22306C	22306AF



Female 37° AN 45° - Black - Swivel

Size	FKM	Nitrile	EPDM	Non-Valve FKM	Non-Valve Nitrile	Non-Valve EPDM
-4 AN	22304D	22304BD	22304FD	22304AD	22304CD	22304AFD
-6 AN	22306D	22306BD	22306FD	22306AD	22306CD	22306AFD



Female 37° AN 90° - Black - Swivel

Size	FKM	Nitrile	EPDM	Non-Valve FKM	Non-Valve Nitrile	Non-Valve EPDM
-4 AN	22304E	22304BE	22304FE	22304AE	22304CE	22304AFE
-6 AN	22306E	22306BE	22306FE	22306AE	22306CE	22306AFE



Male 37° AN Straight - Black

Size	FKM	Nitrile	EPDM	Non-Valve FKM	Non-Valve Nitrile	Non-Valve EPDM
-3 AN	22403	22403B	22403F	22403A	22403C	22403AF
-4 AN	22404	22404B	22404F	22404A	22404C	22404AF
-6 AN	22406	22406B	22406F	22406A	22406C	22406AF

*Elbows are not recommended for threaded connectors that do not swivel.
See elbow Tech Tip on page 2.



Hose Barb Straight - Black

Size	FKM	Nitrile	EPDM	Non-Valve FKM	Non-Valve Nitrile	Non-Valve EPDM
-3 AN	22503	22503B	22503F	22503A	22503C	22503AF
-4 AN	22504	22504B	22504F	22504A	22504C	22504AF
-5 AN	22505	22505B	22505F	22505A	22505C	22505AF
-6 AN	22506	22506B	22506F	22506A	22506C	22506AF



Hose Barb 45° - Black

Size	FKM	Nitrile	EPDM	Non-Valve FKM	Non-Valve Nitrile	Non-Valve EPDM
-3 AN	22503D	22503BD	22503FD	22503AD	22503CD	22503AFD
-4 AN	22504D	22504BD	22504FD	22504AD	22504CD	22504AFD
-5 AN	22505D	22505BD	22505FD	22505AD	22505CD	22505AFD
-6 AN	22506D	22506BD	22506FD	22506AD	22506CD	22506AFD



Hose Barb 90° - Black

Size	FKM	Nitrile	EPDM	Non-Valve FKM	Non-Valve Nitrile	Non-Valve EPDM
-3 AN	22503E	22503BE	22503FE	22503AE	22503CE	22503AFE
-4 AN	22504E	22504BE	22504FE	22504AE	22504CE	22504AFE
-5 AN	22505E	22505BE	22505FE	22505AE	22505CE	22505AFE
-6 AN	22506E	22506BE	22506FE	22506AE	22506CE	22506AFE



Push-To-Lock Hose Barb Straight - Black

Size	FKM	Nitrile	EPDM	Non-Valve FKM	Non-Valve Nitrile	Non-Valve EPDM
-4	22504P	22504BP	22504FP	22504AP	22504CP	22504AFP
-6	22506P	22506BP	22506FP	22506AP	22506CP	22506AFP



Push-To-Lock Hose Barb 45° - Black

Size	FKM	Nitrile	EPDM	Non-Valve FKM	Non-Valve Nitrile	Non-Valve EPDM
-4	22504PD	22504BPD	22504FPD	22504APD	22504CPD	22504AFPD
-6	22506PD	22506BPD	22506FPD	22506APD	22506CPD	22506AFPD



Push-To-Lock Hose Barb 90° - Black

Size	FKM	Nitrile	EPDM	Non-Valve FKM	Non-Valve Nitrile	Non-Valve EPDM
-4	22504PE	22504BPE	22504FPE	22504APE	22504CPE	22504AFPE
-6	22506PE	22506BPE	22506FPE	22506APE	22506CPE	22506AFPE



Reusable Nut Hose End Straight - Gold

Size	FKM	Nitrile	EPDM	Non-Valve FKM	Non-Valve Nitrile	Non-Valve EPDM
-4 AN	22604	22604B	22604F	22604A	22604C	22604AF
-6 AN	22606	22606B	22606F	22606A	22606C	22606AF



Reusable Nut Hose End Straight 45° - Gold

Size	FKM	Nitrile	EPDM	Non-Valve FKM	Non-Valve Nitrile	Non-Valve EPDM
-4 AN	22604D	22604BD	22604FD	22604AD	22604CD	22604AFD
-6 AN	22606D	22606BD	22606FD	22606AD	22606CD	22606AFD



Reusable Nut Hose End 90° - Gold

Size	FKM	Nitrile	EPDM	Non-Valve FKM	Non-Valve Nitrile	Non-Valve EPDM
-4 AN	22604E	22604BE	22604FE	22604AE	22604CE	22604AFE
-6 AN	22606E	22606BE	22606FE	22606AE	22606CE	22606AFE

PLUGS SERIES 2000



Reusable Nut Hose End Straight - Black

Size	FKM	Nitrile	EPDM	Non-Valve FKM	Non-Valve Nitrile	Non-Valve EPDM
-4 AN	22604J	22604BJ	22604FJ	22604AJ	22604CJ	22604AFJ
-6 AN	22606J	22606BJ	22606FJ	22606AJ	22606CJ	22606AFJ



Reusable Nut Hose End 45° - Black

Size	FKM	Nitrile	EPDM	Non-Valve FKM	Non-Valve Nitrile	Non-Valve EPDM
-4 AN	22604JD	22604BJD	22604FJD	22604AJD	22604CJD	22604AFJD
-6 AN	22606JD	22606BJD	22606FJD	22606AJD	22606CJD	22606AFJD



Reusable Nut Hose End 90° - Black

Size	FKM	Nitrile	EPDM	Non-Valve FKM	Non-Valve Nitrile	Non-Valve EPDM
-4 AN	22604JE	22604BJE	22604FJE	22604AJE	22604CJE	22604AFJE
-6 AN	22606JE	22606BJE	22606FJE	22606AJE	22606CJE	22606AFJE



Female NPT Straight - Black

Size	FKM	Nitrile	EPDM	Non-Valve FKM	Non-Valve Nitrile	Non-Valve EPDM
1/8"	22702	22702B	22702F	22702A	22702C	22702AF
1/4"	22704	22704B	22704F	22704A	22704C	22704AF

*Elbows are not recommended for threaded connectors that do not swivel.
See elbow Tech Tip on page 2.



Male NPT Straight - Black

Size	FKM	Nitrile	EPDM	Non-Valve FKM	Non-Valve Nitrile	Non-Valve EPDM
1/8"	22802	22802B	22802F	22802A	22802C	22802AF
1/4"	22804	22804B	22804F	22804A	22804C	22804AF

*Elbows are not recommended for threaded connectors that do not swivel.
See elbow Tech Tip on page 2.



3000 SERIES

SOCKETS PLUGS



3000 SERIES

3000 Series are available in the following sizes:

- -6 AN to -8 AN 37° Male and Female
- 1/4" to 3/8" Male and Female NPT
- -6 AN to -8 AN Hose Barb
- -6 to -8 Push-To-Lock Hose Barb
- -6 AN to -8 AN Reusable Nut Hose End
- -6 to -8 Male O-ring Boss Seal

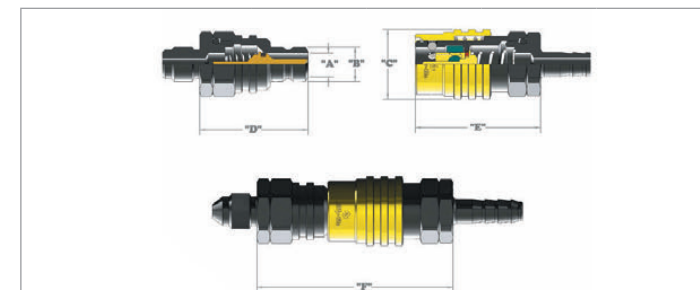
All 3000 series are available in straight, 45° and 90°.

All fittings are also available non-valved to allow for a 100% flow through application.

Caps, plugs, and C-clips are also available.

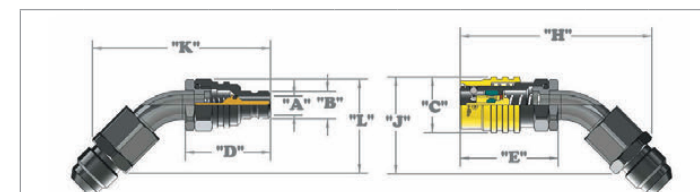
All sockets and plugs in the same series are interchangeable.

DIMENSIONS



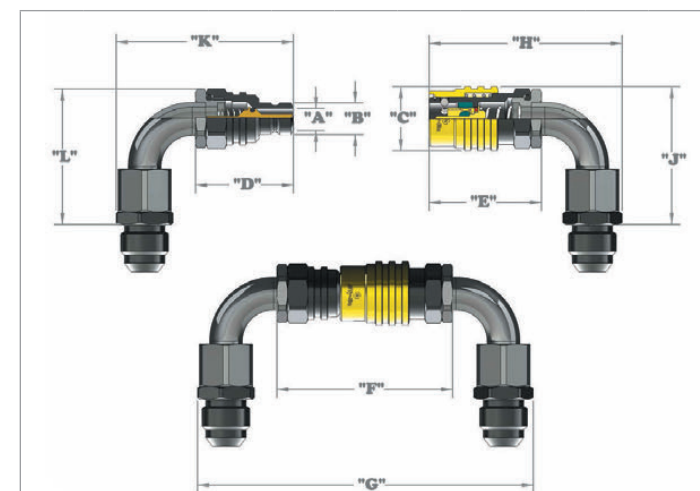
STRAIGHT 3000 SERIES

A	B	C	D	E	F
.37	.53	1.03	1.45	1.78	2.63



45° 3000 SERIES

A	B	C	D	E	F	G	H	J	K	L
.37	.53	1.03	1.56	1.91	2.86	5.80	3.39	1.58	2.41	1.56



90° 3000 SERIES

A	B	C	D	E	F	G	H	J	K	L
.37	.53	1.03	1.56	1.91	2.86	5.43	3.21	2.11	2.83	2.10

SOCKETS SERIES 3000

All sockets and plugs in the same series are interchangeable

3000 Series Socket Cap

MS3000P Fits Any 3000 Series Socket

3000 Series Plug Cap

MS3000C Fits Any 3000 Series Plug



Male O-Ring Boss Seal (ORB) Straight - Gold

Size	FKM	Nitrile	EPDM	Non-Valve FKM	Non-Valve Nitrile	Non-Valve EPDM
-6	31106	31106B	31106F	31106A	31106C	31106AF
-8	31108	31108B	31108F	31108A	31108C	31108AF

*Elbows are not recommended for threaded connectors that do not swivel. See elbow Tech Tip on page 2.



Male O-Ring Boss Seal (ORB) Straight - Black

Size	FKM	Nitrile	EPDM	Non-Valve FKM	Non-Valve Nitrile	Non-Valve EPDM
-6	31106J	31106BJ	31106FJ	31106AJ	31106CJ	31106AFJ
-8	31108J	31108BJ	31108FJ	31108AJ	31108CJ	31108AFJ

*Elbows are not recommended for threaded connectors that do not swivel. See elbow Tech Tip on page 2.



Female 37° AN Straight - Gold

Size	FKM	Nitrile	EPDM	Non-Valve FKM	Non-Valve Nitrile	Non-Valve EPDM
-6 AN	31306	31306B	31306F	31306A	31306C	31306AF
-8 AN	31308	31308B	31308F	31308A	31308C	31308AF



Female 37° AN 45° - Gold - Swivel

Size	FKM	Nitrile	EPDM	Non-Valve FKM	Non-Valve Nitrile	Non-Valve EPDM
-6 AN	31306D	31306BD	31306FD	31306AD	31306CD	31306AFD
-8 AN	31308D	31308BD	31308FD	31308AD	31308CD	31308AFD



Female 37° AN 90° - Gold - Swivel

Size	FKM	Nitrile	EPDM	Non-Valve FKM	Non-Valve Nitrile	Non-Valve EPDM
-6 AN	31306E	31306BE	31306FE	31306AE	31306CE	31306AFE
-8 AN	31308E	31308BE	31308FE	31308AE	31308CE	31308AFE



Female 37° AN Straight - Black

Size	FKM	Nitrile	EPDM	Non-Valve FKM	Non-Valve Nitrile	Non-Valve EPDM
-6 AN	31306J	31306BJ	31306FJ	31306AJ	31306CJ	31306AFJ
-8 AN	31308J	31308BJ	31308FJ	31308AJ	31308CJ	31308AFJ



Female 37° AN 45° - Black - Swivel

Size	FKM	Nitrile	EPDM	Non-Valve FKM	Non-Valve Nitrile	Non-Valve EPDM
-6 AN	31306JD	31306BJD	31306FJD	31306AJD	31306CJD	31306AFJD
-8 AN	31308JD	31308BJD	31308FJD	31308AJD	31308CJD	31308AFJD



SOCKETS SERIES 3000

All sockets and plugs in the same series are interchangeable



Female 37° AN 90° - Black - Swivel

Size	FKM	Nitrile	EPDM	Non-Valve FKM	Non-Valve Nitrile	Non-Valve EPDM
-6 AN	31306JE	31306BJE	31306FJE	31306AJE	31306CJE	31306AFJE
-8 AN	31308JE	31308BJE	31308FJE	31308AJE	31308CJE	31308AFJE



Male 37° AN Straight - Gold

Size	FKM	Nitrile	EPDM	Non-Valve FKM	Non-Valve Nitrile	Non-Valve EPDM
-6 AN	31406	31406B	31406F	31406A	31406C	31406AF
-8 AN	31408	31408B	31408F	31408A	31408C	31408AF

*Elbows are not recommended for threaded connectors that do not swivel.
See elbow Tech Tip on page 2.



Male 37° AN Straight - Black

Size	FKM	Nitrile	EPDM	Non-Valve FKM	Non-Valve Nitrile	Non-Valve EPDM
-6 AN	31406J	31406BJ	31406FJ	31406AJ	31406CJ	31406AFJ
-8 AN	31408J	31408BJ	31408FJ	31408AJ	31408CJ	31408AFJ

*Elbows are not recommended for threaded connectors that do not swivel.
See elbow Tech Tip on page 2.



Hose Barb Straight - Gold

Size	FKM	Nitrile	EPDM	Non-Valve FKM	Non-Valve Nitrile	Non-Valve EPDM
-6 AN	31506	31506B	31506F	31506A	31506C	31506AF
-8 AN	31508	31508B	31508F	31508A	31508C	31508AF



Hose Barb 45° - Gold

Size	FKM	Nitrile	EPDM	Non-Valve FKM	Non-Valve Nitrile	Non-Valve EPDM
-6 AN	31506D	31506BD	31506FD	31506AD	31506CD	31506AFD
-8 AN	31508D	31508BD	31508FD	31508AD	31508CD	31508AFD



Hose Barb 90° - Gold

Size	FKM	Nitrile	EPDM	Non-Valve FKM	Non-Valve Nitrile	Non-Valve EPDM
-6 AN	31506E	31506BE	31506FE	31506AE	31506CE	31506AFE
-8 AN	31508E	31508BE	31508FE	31508AE	31508CE	31508AFE



Hose Barb Straight - Black

Size	FKM	Nitrile	EPDM	Non-Valve FKM	Non-Valve Nitrile	Non-Valve EPDM
-6 AN	31506J	31506BJ	31506FJ	31506AJ	31506CJ	31506AFJ
-8 AN	31508J	31508BJ	31508FJ	31508AJ	31508CJ	31508AFJ



Hose Barb 45° - Black

Size	FKM	Nitrile	EPDM	Non-Valve FKM	Non-Valve Nitrile	Non-Valve EPDM
-6 AN	31506JD	31506BJD	31506FJD	31506AJD	31506CJD	31506AFJD
-8 AN	31508JD	31508BJD	31508FJD	31508AJD	31508CJD	31508AFJD



Hose Barb 90° - Black

Size	FKM	Nitrile	EPDM	Non-Valve FKM	Non-Valve Nitrile	Non-Valve EPDM
-6 AN	31506JE	31506BJE	31506FJE	31506AJE	31506CJE	31506AFJE
-8 AN	31508JE	31508BJE	31508FJE	31508AJE	31508CJE	31508AFJE



Push-To-Lock Hose Barb Straight - Gold

Size	FKM	Nitrile	EPDM	Non-Valve FKM	Non-Valve Nitrile	Non-Valve EPDM
-6	31506P	31506BP	31506FP	31506AP	31506CP	31506AFP
-8	31508P	31508BP	31508FP	31508AP	31508CP	31508AFP



Push-To-Lock Hose Barb 45° - Gold

Size	FKM	Nitrile	EPDM	Non-Valve FKM	Non-Valve Nitrile	Non-Valve EPDM
-6	31506PD	31506BPD	31506FPD	31506APD	31506CPD	31506AFPD
-8	31508PD	31508BPD	31508FPD	31508APD	31508CPD	31508AFPD



Push-To-Lock Hose Barb 90° - Gold

Size	FKM	Nitrile	EPDM	Non-Valve FKM	Non-Valve Nitrile	Non-Valve EPDM
-6	31506PE	31506BPE	31506FPE	31506APE	31506CPE	31506AFPE
-8	31508PE	31508BPE	31508FPE	31508APE	31508CPE	31508AFPE



Push-To-Lock Hose Barb Straight - Black

Size	FKM	Nitrile	EPDM	Non-Valve FKM	Non-Valve Nitrile	Non-Valve EPDM
-6	31506PJ	31506BPJ	31506FPJ	31506APJ	31506CPJ	31506AFPJ
-8	31508PJ	31508BPJ	31508FPJ	31508APJ	31508CPJ	31508AFPJ



Push-To-Lock Hose Barb 45° - Black

Size	FKM	Nitrile	EPDM	Non-Valve FKM	Non-Valve Nitrile	Non-Valve EPDM
-6	31506PJD	31506BPJD	31506FPJD	31506APJD	31506CPJD	31506AFPJD
-8	31508PJD	31508BPJD	31508FPJD	31508APJD	31508CPJD	31508AFPJD



Push-To-Lock Hose Barb 90° - Black

Size	FKM	Nitrile	EPDM	Non-Valve FKM	Non-Valve Nitrile	Non-Valve EPDM
-6	31506PJE	31506BPJE	31506FPJE	31506APJE	31506CPJE	31506AFPJE
-8	31508PJE	31508BPJE	31508FPJE	31508APJE	31508CPJE	31508AFPJE



Reusable Nut Hose End Straight - Gold

Size	FKM	Nitrile	EPDM	Non-Valve FKM	Non-Valve Nitrile	Non-Valve EPDM
-6 AN	31606	31606B	31606F	31606A	31606C	31606AF
-8 AN	31608	31608B	31608F	31608A	31608C	31608AF



Reusable Nut Hose End 45° - Gold

Size	FKM	Nitrile	EPDM	Non-Valve FKM	Non-Valve Nitrile	Non-Valve EPDM
-6 AN	31606D	31606BD	31606FD	31606AD	31606CD	31606AFD
-8 AN	31608D	31608BD	31608FD	31608AD	31608CD	31608AFD

SOCKETS SERIES 3000

All sockets and plugs in the same series are interchangeable



Reusable Nut Hose End 90° - Gold

Size	FKM	Nitrile	EPDM	Non-Valve FKM	Non-Valve Nitrile	Non-Valve EPDM
-6 AN	31606E	31606BE	31606FE	31606AE	31606CE	31606AFE
-8 AN	31608E	31608BE	31608FE	31608AE	31608CE	31608AFE



Reusable Nut Hose End Straight - Black

Size	FKM	Nitrile	EPDM	Non-Valve FKM	Non-Valve Nitrile	Non-Valve EPDM
-6 AN	31606J	31606BJ	31606FJ	31606AJ	31606CJ	31606AFJ
-8 AN	31608J	31608BJ	31608FJ	31608AJ	31608CJ	31608AFJ



Reusable Nut Hose End 45° - Black

Size	FKM	Nitrile	EPDM	Non-Valve FKM	Non-Valve Nitrile	Non-Valve EPDM
-6 AN	31606JD	31606BJD	31606FJD	31606AJD	31606CJD	31606AFJD
-8 AN	31608JD	31608BJD	31608FJD	31608AJD	31608CJD	31608AFJD



Reusable Nut Hose End 90° - Black

Size	FKM	Nitrile	EPDM	Non-Valve FKM	Non-Valve Nitrile	Non-Valve EPDM
-6 AN	31606JE	31606BJE	31606FJE	31606AJE	31606CJE	31606AFJE
-8 AN	31608JE	31608BJE	31608FJE	31608AJE	31608CJE	31608AFJE



Female NPT Straight - Gold

Size	FKM	Nitrile	EPDM	Non-Valve FKM	Non-Valve Nitrile	Non-Valve EPDM
1/4"	31704	31704B	31704F	31704A	31704C	31704AF
3/8"	31706	31706B	31706F	31706A	31706C	31706AF

* Elbows are not recommended for threaded connectors that do not swivel.
See elbow Tech Tip on page 2.



Female NPT Straight - Black

Size	FKM	Nitrile	EPDM	Non-Valve FKM	Non-Valve Nitrile	Non-Valve EPDM
1/4"	31704J	31704BJ	31704FJ	31704AJ	31704CJ	31704AFJ
3/8"	31706J	31706BJ	31706FJ	31706AJ	31706CJ	31706AFJ

* Elbows are not recommended for threaded connectors that do not swivel.
See elbow Tech Tip on page 2.



Male NPT Straight - Gold

Size	FKM	Nitrile	EPDM	Non-Valve FKM	Non-Valve Nitrile	Non-Valve EPDM
1/4"	31804	31804B	31804F	31804A	31804C	31804AF
3/8"	31806	31806B	31806F	31806A	31806C	31806AF

* Elbows are not recommended for threaded connectors that do not swivel.
See elbow Tech Tip on page 2.



Male NPT Straight - Black

Size	FKM	Nitrile	EPDM	Non-Valve FKM	Non-Valve Nitrile	Non-Valve EPDM
1/4"	31804J	31804BJ	31804FJ	31804AJ	31804CJ	31804AFJ
3/8"	31806J	31806BJ	31806FJ	31806AJ	31806CJ	31806AFJ

* Elbows are not recommended for threaded connectors that do not swivel.
See elbow Tech Tip on page 2.

PLUGS SERIES 3000



Male O-Ring Boss Seal (ORB) Straight - Black

Size	FKM	Nitrile	EPDM	Non-Valve FKM	Non-Valve Nitrile	Non-Valve EPDM
-6	32106	32106B	32106F	32106A	32106C	32106AF
-8	32108	32108B	32108F	32108A	32108C	32108AF

* Elbows are not recommended for threaded connectors that do not swivel.
See elbow Tech Tip on page 2.



Female 37° AN Straight - Black

Size	FKM	Nitrile	EPDM	Non-Valve FKM	Non-Valve Nitrile	Non-Valve EPDM
-6 AN	32306	32306B	32306F	32306A	32306C	32306AF
-8 AN	32308	32308B	32308F	32308A	32308C	32308AF



Female 37° AN 45° - Swivel - Black

Size	FKM	Nitrile	EPDM	Non-Valve FKM	Non-Valve Nitrile	Non-Valve EPDM
-6 AN	32306D	32306BD	32306FD	32306AD	32306CD	32306AFD
-8 AN	32308D	32308BD	32308FD	32308AD	32308CD	32308AFD



Female 37° AN 90° - Swivel - Black

Size	FKM	Nitrile	EPDM	Non-Valve FKM	Non-Valve Nitrile	Non-Valve EPDM
-6 AN	32306E	32306BE	32306FE	32306AE	32306CE	32306AFE
-8 AN	32308E	32308BE	32308FE	32308AE	32308CE	32308AFE



Male 37° AN Straight - Black

Size	FKM	Nitrile	EPDM	Non-Valve FKM	Non-Valve Nitrile	Non-Valve EPDM
-6 AN	32406	32406B	32406F	32406A	32406C	32406AF
-8 AN	32408	32408B	32408F	32408A	32408C	32408AF

* Elbows are not recommended for threaded connectors that do not swivel.
See elbow Tech Tip on page 2.



Hose Barb Straight - Black

Size	FKM	Nitrile	EPDM	Non-Valve FKM	Non-Valve Nitrile	Non-Valve EPDM
-6 AN	32506	32506B	32506F	32506A	32506C	32506AF
-8 AN	32508	32508B	32508F	32508A	32508C	32508AF



Hose Barb 45° - Black

Size	FKM	Nitrile	EPDM	Non-Valve FKM	Non-Valve Nitrile	Non-Valve EPDM
-6 AN	32506D	32506BD	32506FD	32506AD	32506CD	32506AFD
-8 AN	32508D	32508BD	32508FD	32508AD	32508CD	32508AFD



Hose Barb 90° - Black

Size	FKM	Nitrile	EPDM	Non-Valve FKM	Non-Valve Nitrile	Non-Valve EPDM
-6 AN	32506E	32506BE	32506FE	32506AE	32506CE	32506AFE
-8 AN	32508E	32508BE	32508FE	32508AE	32508CE	32508AFE

PLUGS SERIES 3000

All sockets and plugs in the same series are interchangeable



Push-To-Lock Hose Barb Straight - Black

Size	FKM	Nitrile	EPDM	Non-Valve FKM	Non-Valve Nitrile	Non-Valve EPDM
-6	32506P	32506BP	32506FP	32506AP	32506CP	32506AFP
-8	32508P	32508BP	32508FP	32508AP	32508CP	32508AFP



Push-To-Lock Hose Barb 45° - Black

Size	FKM	Nitrile	EPDM	Non-Valve FKM	Non-Valve Nitrile	Non-Valve EPDM
-6	32506PD	32506BPD	32506FPD	32506APD	32506CPD	32506AFPD
-8	32508PD	32508BPD	32508FPD	32508APD	32508CPD	32508AFPD



Push-To-Lock Hose Barb 90° - Black

Size	FKM	Nitrile	EPDM	Non-Valve FKM	Non-Valve Nitrile	Non-Valve EPDM
-6	32506PE	32506BPE	32506FPE	32506APE	32506CPE	32506AFPE
-8	32508PE	32508BPE	32508FPE	32508APE	32508CPE	32508AFPE



Reusable Nut Hose End Straight - Gold

Size	FKM	Nitrile	EPDM	Non-Valve FKM	Non-Valve Nitrile	Non-Valve EPDM
-6 AN	32606	32606B	32606F	32606A	32606C	32606AF
-8 AN	32608	32608B	32608F	32608A	32608C	32608AF



Reusable Nut Hose End 45° - Gold

Size	FKM	Nitrile	EPDM	Non-Valve FKM	Non-Valve Nitrile	Non-Valve EPDM
-6 AN	32606D	32606BD	32606FD	32606AD	32606CD	32606AFD
-8 AN	32608D	32608BD	32608FD	32608AD	32608CD	32608AFD



Reusable Nut Hose End 90° - Gold

Size	FKM	Nitrile	EPDM	Non-Valve FKM	Non-Valve Nitrile	Non-Valve EPDM
-6 AN	32606E	32606BE	32606FE	32606AE	32606CE	32606AFE
-8 AN	32608E	32608BE	32608FE	32608AE	32608CE	32608AFE



Reusable Nut Hose End Straight - Black

Size	FKM	Nitrile	EPDM	Non-Valve FKM	Non-Valve Nitrile	Non-Valve EPDM
-6 AN	32606J	32606BJ	32606FJ	32606AJ	32606CJ	32606AFJ
-8 AN	32608J	32608BJ	32608FJ	32608AJ	32608CJ	32608AFJ



Reusable Nut Hose End 45° - Black

Size	FKM	Nitrile	EPDM	Non-Valve FKM	Non-Valve Nitrile	Non-Valve EPDM
-6 AN	32606JD	32606BJD	32606FJD	32606AJD	32606CJD	32606AFJD
-8 AN	32608JD	32608BJD	32608FJD	32608AJD	32608CJD	32608AFJD



Reusable Nut Hose End 90° - Black

Size	FKM	Nitrile	EPDM	Non-Valve FKM	Non-Valve Nitrile	Non-Valve EPDM
-6 AN	32606JE	32606BJE	32606FJE	32606AJE	32606CJE	32606AFJE
-8 AN	32608JE	32608BJE	32608FJE	32608AJE	32608CJE	32608AFJE



Female NPT Straight - Black

Size	FKM	Nitrile	EPDM	Non-Valve FKM	Non-Valve Nitrile	Non-Valve EPDM
1/4"	32704	32704B	32704F	32704A	32704C	32704AF
3/8"	32706	32706B	32706F	32706A	32706C	32706AF

*Elbows are not recommended for threaded connectors that do not swivel.
See elbow Tech Tip on page 2.



Male NPT Straight - Black

Size	FKM	Nitrile	EPDM	Non-Valve FKM	Non-Valve Nitrile	Non-Valve EPDM
1/4"	32804	32804B	32804F	32804A	32804C	32804AF
3/8"	32806	32806B	32806F	32806A	32806C	32806AF

*Elbows are not recommended for threaded connectors that do not swivel.
See elbow Tech Tip on page 2.





5000 SERIES

SOCKETS
PLUGS



5000 SERIES

5000 Series are available in the following sizes:

- -8 AN to -12 AN 37° Male and Female
- 3/8" to 3/4" Male and Female NPT
- -8 AN to -12 AN Hose Barb
- -8 to -12 Push-To-Lock Hose Barb
- -8 AN to -12 AN Reusable Nut Hose End
- -8 to -12 Male O-ring Boss Seal

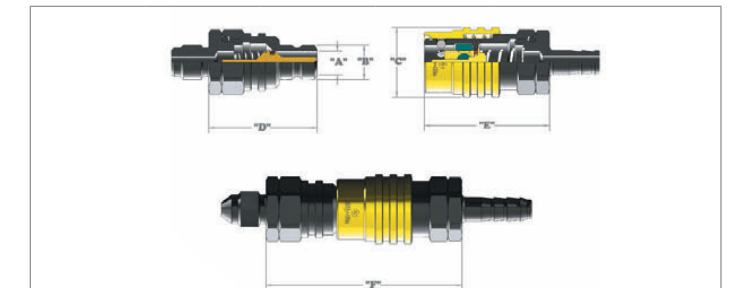
All 5000 series are available in straight, 45° and 90°.

All fittings are also available non-valved to allow for a 100% flow through application.

Caps, plugs, and C-clips are also available.

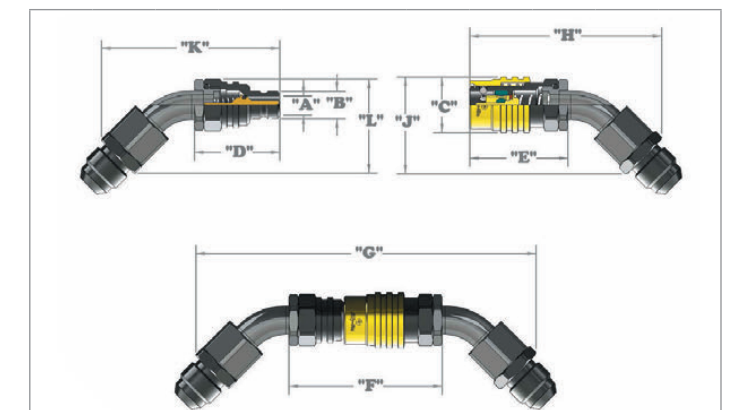
All sockets and plugs in the same series are interchangeable.

DIMENSIONS



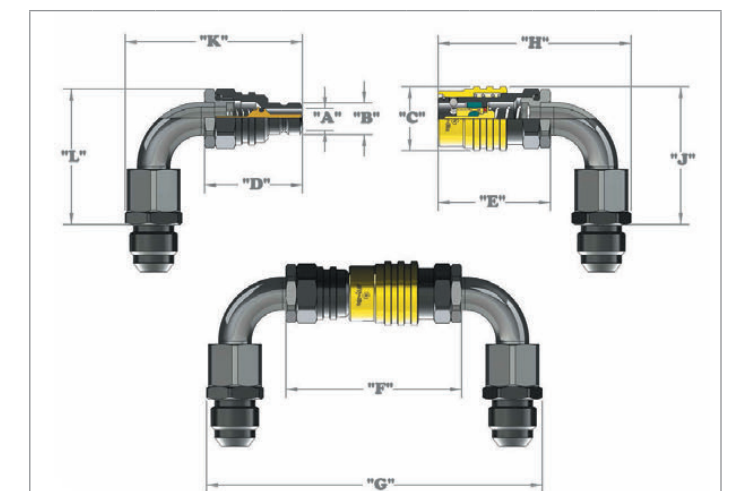
STRAIGHT 5000 SERIES

A	B	C	D	E	F
.59	.78	1.37	1.97	2.34	3.91



45° 5000 SERIES

A	B	C	D	E	F	G	H	J	K	L
.59	.78	1.37	2.06	2.43	3.71	7.82	4.48	2.21	3.33	2.18



90° 5000 SERIES

A	B	C	D	E	F	G	H	J	K	L
.59	.78	1.37	2.06	2.43	3.71	7.29	4.22	2.94	3.84	2.84

SOCKETS SERIES 5000

All sockets and plugs in the same series are interchangeable

5000 Series Socket Cap

MS5000P Fits Any 5000 Series Socket



5000 Series Plug Cap

MS5000C Fits Any 5000 Series Plug



Male O-Ring Boss Seal (ORB) Straight - Gold



Size	FKM	Nitrile	EPDM	Non-Valve FKM	Non-Valve Nitrile	Non-Valve EPDM
-8	51108	51108B	51108F	51108A	51108C	51108AF
-10	51110	51110B	51110F	51110A	51110C	51110AF
-12	51112	51112B	51112F	51112A	51112C	51112AF

*Elbows are not recommended for threaded connectors that do not swivel.
See elbow Tech Tip on page 2.

Male O-Ring Boss Seal (ORB) Straight - Black



Size	FKM	Nitrile	EPDM	Non-Valve FKM	Non-Valve Nitrile	Non-Valve EPDM
-8	51108J	51108BJ	51108FJ	51108AJ	51108CJ	51108AFJ
-10	51110J	51110BJ	51110FJ	51110AJ	51110CJ	51110AFJ
-12	51112J	51112BJ	51112FJ	51112AJ	51112CJ	51112AFJ

*Elbows are not recommended for threaded connectors that do not swivel.
See elbow Tech Tip on page 2.

Female 37° AN Straight - Gold



Size	FKM	Nitrile	EPDM	Non-Valve FKM	Non-Valve Nitrile	Non-Valve EPDM
-8 AN	51308	51308B	51308F	51308A	51308C	51308AF
-10 AN	51310	51310B	51310F	51310A	51310C	51310AF
-12 AN	51312	51312B	51312F	51312A	51312C	51312AF

Female 37° AN 45° - Gold - Swivel



Size	FKM	Nitrile	EPDM	Non-Valve FKM	Non-Valve Nitrile	Non-Valve EPDM
-8 AN	51308D	51308BD	51308FD	51308AD	51308CD	51308AFD
-10 AN	51310D	51310BD	51310FD	51310AD	51310CD	51310AFD
-12 AN	51312D	51312BD	51312FD	51312AD	51312CD	51312AFD

Female 37° AN 90° - Gold - Swivel



Size	FKM	Nitrile	EPDM	Non-Valve FKM	Non-Valve Nitrile	Non-Valve EPDM
-8 AN	51308E	51308BE	51308FE	51308AE	51308CE	51308AFE
-10 AN	51310E	51310BE	51310FE	51310AE	51310CE	51310AFE
-12 AN	51312E	51312BE	51312FE	51312AE	51312CE	51312AFE

Female 37° AN Straight - Black



Size	FKM	Nitrile	EPDM	Non-Valve FKM	Non-Valve Nitrile	Non-Valve EPDM
-8 AN	51308J	51308BJ	51308FJ	51308AJ	51308CJ	51308AFJ
-10 AN	51310J	51310BJ	51310FJ	51310AJ	51310CJ	51310AFJ
-12 AN	51312J	51312BJ	51312FJ	51312AJ	51312CJ	51312AFJ

Female 37° AN 45° - Black - Swivel



Size	FKM	Nitrile	EPDM	Non-Valve FKM	Non-Valve Nitrile	Non-Valve EPDM
-8 AN	51308JD	51308BJD	51308FJD	51308AJD	51308CJD	51308AFJD
-10 AN	51310JD	51310BJD	51310FJD	51310AJD	51310CJD	51310AFJD
-12 AN	51312JD	51312BJD	51312FJD	51312AJD	51312CJD	51312AFJD

Female 37° AN 90° - Black - Swivel



Size	FKM	Nitrile	EPDM	Non-Valve FKM	Non-Valve Nitrile	Non-Valve EPDM
-8 AN	51308JE	51308BJE	51308FJE	51308AJE	51308CJE	51308AFJE
-10 AN	51310JE	51310BJE	51310FJE	51310AJE	51310CJE	51310AFJE
-12 AN	51312JE	51312BJE	51312FJE	51312AJE	51312CJE	51312AFJE

Male 37° AN Straight - Gold



Size	FKM	Nitrile	EPDM	Non-Valve FKM	Non-Valve Nitrile	Non-Valve EPDM
-8 AN	51408	51408B	51408F	51408A	51408C	51408AF
-10 AN	51410	51410B	51410F	51410A	51410C	51410AF
-12 AN	51412	51412B	51412F	51412A	51412C	51412AF

*Elbows are not recommended for threaded connectors that do not swivel.
See elbow Tech Tip on page 2.

Male 37° AN Straight - Black



Size	FKM	Nitrile	EPDM	Non-Valve FKM	Non-Valve Nitrile	Non-Valve EPDM
-8 AN	51408J	51408BJ	51408FJ	51408AJ	51408CJ	51408AFJ
-10 AN	51410J	51410BJ	51410FJ	51410AJ	51410CJ	51410AFJ
-12 AN	51412J	51412BJ	51412FJ	51412AJ	51412CJ	51412AFJ

*Elbows are not recommended for threaded connectors that do not swivel.
See elbow Tech Tip on page 2.

Hose Barb Straight - Gold



Size	FKM	Nitrile	EPDM	Non-Valve FKM	Non-Valve Nitrile	Non-Valve EPDM
-8 AN	51508	51508B	51508F	51508A	51508C	51508AF
-10 AN	51510	51510B	51510F	51510A	51510C	51510AF
-12 AN	51512	51512B	51512F	51512A	51512C	51512AF

Hose Barb 45° - Gold



Size	FKM	Nitrile	EPDM	Non-Valve FKM	Non-Valve Nitrile	Non-Valve EPDM
-8 AN	51508D	51508BD	51508FD	51508AD	51508CD	51508AFD
-10 AN	51510D	51510BD	51510FD	51510AD	51510CD	51510AFD
-12 AN	51512D	51512BD	51512FD	51512AD	51512CD	51512AFD

Hose Barb 90° - Gold



Size	FKM	Nitrile	EPDM	Non-Valve FKM	Non-Valve Nitrile	Non-Valve EPDM
-8 AN	51508E	51508BE	51508FE	51508AE	51508CE	51508AFE
-10 AN	51510E	51510BE	51510FE	51510AE	51510CE	51510AFE
-12 AN	51512E	51512BE	51512FE	51512AE	51512CE	51512AFE

SOCKETS SERIES 5000

All sockets and plugs in the same series are interchangeable

Hose Barb Straight - Black



Size	FKM	Nitrile	EPDM	Non-Valve FKM	Non-Valve Nitrile	Non-Valve EPDM
-8 AN	51508J	51508BJ	51508FJ	51508AJ	51508CJ	51508AFJ
-10 AN	51510J	51510BJ	51510FJ	51510AJ	51510CJ	51510AFJ
-12 AN	51512J	51512BJ	51512FJ	51512AJ	51512CJ	51512AFJ

Hose Barb 45° - Black



Size	FKM	Nitrile	EPDM	Non-Valve FKM	Non-Valve Nitrile	Non-Valve EPDM
-8 AN	51508JD	51508BJD	51508FJD	51508AJD	51508CJD	51508AFJD
-10 AN	51510JD	51510BJD	51510FJD	51510AJD	51510CJD	51510AFJD
-12 AN	51512JD	51512BJD	51512FJD	51512AJD	51512CJD	51512AFJD

Hose Barb 90° - Black



Size	FKM	Nitrile	EPDM	Non-Valve FKM	Non-Valve Nitrile	Non-Valve EPDM
-8 AN	51508JE	51508BJE	51508FJE	51508AJE	51508CJE	51508AFJE
-10 AN	51510JE	51510BJE	51510FJE	51510AJE	51510CJE	51510AFJE
-12 AN	51512JE	51512BJE	51512FJE	51512AJE	51512CJE	51512AFJE

Push-To-Lock Hose Barb Straight - Gold



Size	FKM	Nitrile	EPDM	Non-Valve FKM	Non-Valve Nitrile	Non-Valve EPDM
-8	51508P	51508BP	51508FP	51508AP	51508CP	51508AFP
-10	51510P	51510BP	51510FP	51510AP	51510CP	51510AFP
-12	51512P	51512BP	51512FP	51512AP	51512CP	51512AFP

Push-To-Lock Hose Barb 45° - Gold



Size	FKM	Nitrile	EPDM	Non-Valve FKM	Non-Valve Nitrile	Non-Valve EPDM
-8	51508PD	51508BPD	51508FPD	51508APD	51508CPD	51508AFPD
-10	51510PD	51510BPD	51510FPD	51510APD	51510CPD	51510AFPD
-12	51512PD	51512BPD	51512FPD	51512APD	51512CPD	51512AFPD

Push-To-Lock Hose Barb 90° - Gold



Size	FKM	Nitrile	EPDM	Non-Valve FKM	Non-Valve Nitrile	Non-Valve EPDM
-8	51508PE	51508BPE	51508FPE	51508APE	51508CPE	51508AFPE
-10	51510PE	51510BPE	51510FPE	51510APE	51510CPE	51510AFPE
-12	51512PE	51512BPE	51512FPE	51512APE	51512CPE	51512AFPE

Push-To-Lock Hose Barb Straight - Black



Size	FKM	Nitrile	EPDM	Non-Valve FKM	Non-Valve Nitrile	Non-Valve EPDM
-8	51508PJ	51508BPJ	51508FPJ	51508APJ	51508CPJ	51508AFPJ
-10	51510PJ	51510BPJ	51510FPJ	51510APJ	51510CPJ	51510AFPJ
-12	51512PJ	51512BPJ	51512FPJ	51512APJ	51512CPJ	51512AFPJ

Push-To-Lock Hose Barb 45° - Black



Size	FKM	Nitrile	EPDM	Non-Valve FKM	Non-Valve Nitrile	Non-Valve EPDM
-8	51508PJD	51508BPJD	51508FPJD	51508APJD	51508CPJD	51508AFPJD
-10	51510PJD	51510BPJD	51510FPJD	51510APJD	51510CPJD	51510AFPJD
-12	51512PJD	51512BPJD	51512FPJD	51512APJD	51512CPJD	51512AFPJD

Push-To-Lock Hose Barb 90° - Black



Size	FKM	Nitrile	EPDM	Non-Valve FKM	Non-Valve Nitrile	Non-Valve EPDM
-8	51508PJE	51508BPJE	51508FPJE	51508APJE	51508CPJE	51508AFPJE
-10	51510PJE	51510BPJE	51510FPJE	51510APJE	51510CPJE	51510AFPJE
-12	51512PJE	51512BPJE	51512FPJE	51512APJE	51512CPJE	51512AFPJE

Reusable Nut Hose End Straight - Gold



Size	FKM	Nitrile	EPDM	Non-Valve FKM	Non-Valve Nitrile	Non-Valve EPDM
-8 AN	51608	51608B	51608F	51608A	51608C	51608AF
-10 AN	51610	51610B	51610F	51610A	51610C	51610AF
-12 AN	51612	51612B	51612F	51612A	51612C	51612AF

Reusable Nut Hose End 45° - Gold



Size	FKM	Nitrile	EPDM	Non-Valve FKM	Non-Valve Nitrile	Non-Valve EPDM
-8 AN	51608D	51608BD	51608FD	51608AD	51608CD	51608AFD
-10 AN	51610D	51610BD	51610FD	51610AD	51610CD	51610AFD
-12 AN	51612D	51612BD	51612FD	51612AD	51612CD	51612AFD

Reusable Nut Hose End 90° - Gold



Size	FKM	Nitrile	EPDM	Non-Valve FKM	Non-Valve Nitrile	Non-Valve EPDM
-8 AN	51608E	51608BE	51608FE	51608AE	51608CE	51608AFE
-10 AN	51610E	51610BE	51610FE	51610AE	51610CE	51610AFE
-12 AN	51612E	51612BE	51612FE	51612AE	51612CE	51612AFE

Reusable Nut Hose End Straight - Black



Size	FKM	Nitrile	EPDM	Non-Valve FKM	Non-Valve Nitrile	Non-Valve EPDM
-8 AN	51608J	51608BJ	51608FJ	51608AJ	51608CJ	51608AFJ
-10 AN	51610J	51610BJ	51610FJ	51610AJ	51610CJ	51610AFJ
-12 AN	51612J	51612BJ	51612FJ	51612AJ	51612CJ	51612AFJ

Reusable Nut Hose End 45° - Black



Size	FKM	Nitrile	EPDM	Non-Valve FKM	Non-Valve Nitrile	Non-Valve EPDM
-8 AN	51608JD	51608BJD	51608FJD	51608AJD	51608CJD	51608AFJD
-10 AN	51610JD	51610BJD	51610FJD	51610AJD	51610CJD	51610AFJD
-12 AN	51612JD	51612BJD	51612FJD	51612AJD	51612CJD	51612AFJD

SOCKETS SERIES 5000

All sockets and plugs in the same series are interchangeable



Reusable Nut Hose End 90° - Black

Size	FKM	Nitrile	EPDM	Non-Valve FKM	Non-Valve Nitrile	Non-Valve EPDM
-8 AN	51608JE	51608BJE	51608FJE	51608AJE	51608CJE	51608AFJE
-10 AN	51610JE	51610BJE	51610FJE	51610AJE	51610CJE	51610AFJE
-12 AN	51612JE	51612BJE	51612FJE	51612AJE	51612CJE	51612AFJE



Female NPT Straight - Gold

Size	FKM	Nitrile	EPDM	Non-Valve FKM	Non-Valve Nitrile	Non-Valve EPDM
3/8"	51706	51706B	51706F	51706A	51706C	51706AF
1/2"	51708	51708B	51708F	51708A	51708C	51708AF
3/4"	51712	51712B	51712F	51712A	51712C	51712AF

* Elbows are not recommended for threaded connectors that do not swivel.
See elbow Tech Tip on page 2.



Female NPT Straight - Black

Size	FKM	Nitrile	EPDM	Non-Valve FKM	Non-Valve Nitrile	Non-Valve EPDM
3/8"	51706J	51706BJ	51706FJ	51706AJ	51706CJ	51706AFJ
1/2"	51708J	51708BJ	51708FJ	51708AJ	51708CJ	51708AFJ
3/4"	51712J	51712BJ	51712FJ	51712AJ	51712CJ	51712AFJ

* Elbows are not recommended for threaded connectors that do not swivel.
See elbow Tech Tip on page 2.



Male NPT Straight - Gold

Size	FKM	Nitrile	EPDM	Non-Valve FKM	Non-Valve Nitrile	Non-Valve EPDM
3/8"	51806	51806B	51806F	51806A	51806C	51806AF
1/2"	51808	51808B	51808F	51808A	51808C	51808AF
3/4"	51812	51812B	51812F	51812A	51812C	51812AF

* Elbows are not recommended for threaded connectors that do not swivel.
See elbow Tech Tip on page 2.



Male NPT Straight - Black

Size	FKM	Nitrile	EPDM	Non-Valve FKM	Non-Valve Nitrile	Non-Valve EPDM
3/8"	51806J	51806BJ	51806FJ	51806AJ	51806CJ	51806AFJ
1/2"	51808J	51808BJ	51808FJ	51808AJ	51808CJ	51808AFJ
3/4"	51812J	51812BJ	51812FJ	51812AJ	51812CJ	51812AFJ

* Elbows are not recommended for threaded connectors that do not swivel.
See elbow Tech Tip on page 2.



PLUGS SERIES 5000

All sockets and plugs in the same series are interchangeable



Male O-Ring Boss Seal (ORB) Straight

Size	FKM	Nitrile	EPDM	Non-Valve FKM	Non-Valve Nitrile	Non-Valve EPDM
-8	52108	52108B	52108F	52108A	52108C	52108AF
-10	52110	52110B	52110F	52110A	52110C	52110AF
-12	52112	52112B	52112F	52112A	52112C	52112AF

* Elbows are not recommended for threaded connectors that do not swivel.
See elbow Tech Tip on page 2.



Female 37° AN Straight - Black

Size	FKM	Nitrile	EPDM	Non-Valve FKM	Non-Valve Nitrile	Non-Valve EPDM
-8 AN	52308	52308B	52308F	52308A	52308C	52308AF
-10 AN	52310	52310B	52310F	52310A	52310C	52310AF
-12 AN	52312	52312B	52312F	52312A	52312C	52312AF



Female 37° AN 45° - Black - Swivel

Size	FKM	Nitrile	EPDM	Non-Valve FKM	Non-Valve Nitrile	Non-Valve EPDM
-8 AN	52308D	52308BD	52308FD	52308AD	52308CD	52308AFD
-10 AN	52310D	52310BD	52310FD	52310AD	52310CD	52310AFD
-12 AN	52312D	52312BD	52312FD	52312AD	52312CD	52312AFD



Female 37° AN 90° - Black - Swivel

Size	FKM	Nitrile	EPDM	Non-Valve FKM	Non-Valve Nitrile	Non-Valve EPDM
-8 AN	52308E	52308BE	52308FE	52308AE	52308CE	52308AFE
-10 AN	52310E	52310BE	52310FE	52310AE	52310CE	52310AFE
-12 AN	52312E	52312BE	52312FE	52312AE	52312CE	52312AFE



Male 37° AN Straight - Black

Size	FKM	Nitrile	EPDM	Non-Valve FKM	Non-Valve Nitrile	Non-Valve EPDM
-8 AN	52408	52408B	52408F	52408A	52408C	52408AF
-10 AN	52410	52410B	52410F	52410A	52410C	52410AF
-12 AN	52412	52412B	52412F	52412A	52412C	52412AF

* Elbows are not recommended for threaded connectors that do not swivel.
See elbow Tech Tip on page 2.



Hose Barb Straight - Black

Size	FKM	Nitrile	EPDM	Non-Valve FKM	Non-Valve Nitrile	Non-Valve EPDM
-8 AN	52508	52508B	52508F	52508A	52508C	52508AF
-10 AN	52510	52510B	52510F	52510A	52510C	52510AF
-12 AN	52512	52512B	52512F	52512A	52512C	52512AF



Hose Barb 45° - Black

Size	FKM	Nitrile	EPDM	Non-Valve FKM	Non-Valve Nitrile	Non-Valve EPDM
-8 AN	52508D	52508BD	52508FD	52508AD	52508CD	52508AFD
-10 AN	52510D	52510BD	52510FD	52510AD	52510CD	52510AFD
-12 AN	52512D	52512BD	52512FD	52512AD	52512CD	52512AFD

PLUGS SERIES 5000

All sockets and plugs in the same series are interchangeable



Hose Barb 90° - Black

Size	FKM	Nitrile	EPDM	Non-Valve FKM	Non-Valve Nitrile	Non-Valve EPDM
-8 AN	52508E	52508BE	52508FE	52508AE	52508CE	52508AFE
-10 AN	52510E	52510BE	52510FE	52510AE	52510CE	52510AFE
-12 AN	52512E	52512BE	52512FE	52512AE	52512CE	52512AFE



Push-To-Lock Hose Barb Straight - Black

Size	FKM	Nitrile	EPDM	Non-Valve FKM	Non-Valve Nitrile	Non-Valve EPDM
-8	52508P	52508BP	52508FP	52508AP	52508CP	52508AFP
-10	52510P	52510BP	52510FP	52510AP	52510CP	52510AFP
-12	52512P	52512BP	52512FP	52512AP	52512CP	52512AFP



Push-To-Lock Hose Barb 45° - Black

Size	FKM	Nitrile	EPDM	Non-Valve FKM	Non-Valve Nitrile	Non-Valve EPDM
-8	52508PD	52508BPD	52508FPD	52508APD	52508CPD	52508AFPD
-10	52510PD	52510BPD	52510FPD	52510APD	52510CPD	52510AFPD
-12	52512PD	52512BPD	52512FPD	52512APD	52512CPD	52512AFPD



Push-To-Lock Hose Barb 90° - Black

Size	FKM	Nitrile	EPDM	Non-Valve FKM	Non-Valve Nitrile	Non-Valve EPDM
-8	52508PE	52508BPE	52508FPE	52508APE	52508CPE	52508AFPE
-10	52510PE	52510BPE	52510FPE	52510APE	52510CPE	52510AFPE
-12	52512PE	52512BPE	52512FPE	52512APE	52512CPE	52512AFPE



Reusable Nut Hose End Straight - Gold

Size	FKM	Nitrile	EPDM	Non-Valve FKM	Non-Valve Nitrile	Non-Valve EPDM
-8 AN	52608	52608B	52608F	52608A	52608C	52608AF
-10 AN	52610	52610B	52610F	52610A	52610C	52610AF
-12 AN	52612	52612B	52612F	52612A	52612C	52612AF



Reusable Nut Hose End 45° - Gold

Size	FKM	Nitrile	EPDM	Non-Valve FKM	Non-Valve Nitrile	Non-Valve EPDM
-8 AN	52608D	52608BD	52608FD	52608AD	52608CD	52608AFD
-10 AN	52610D	52610BD	52610FD	52610AD	52610CD	52610AFD
-12 AN	52612D	52612BD	52612FD	52612AD	52612CD	52612AFD



Reusable Nut Hose End 90° - Gold

Size	FKM	Nitrile	EPDM	Non-Valve FKM	Non-Valve Nitrile	Non-Valve EPDM
-8 AN	52608E	52608BE	52608FE	52608AE	52608CE	52608AFE
-10 AN	52610E	52610BE	52610FE	52610AE	52610CE	52610AFE
-12 AN	52612E	52612BE	52612FE	52612AE	52612CE	52612AFE



Reusable Nut Hose End Straight - Black

Size	FKM	Nitrile	EPDM	Non-Valve FKM	Non-Valve Nitrile	Non-Valve EPDM
3/8"	52706J	52706BJ	52706FJ	52706AJ	52706CJ	52706AFJ
1/2"	52708J	52708BJ	52708FJ	52708AJ	52708CJ	52708AFJ
3/4"	52712J	52712BJ	52712FJ	52712AJ	52712CJ	52712AFJ



Reusable Nut Hose End 45° - Black

Size	FKM	Nitrile	EPDM	Non-Valve FKM	Non-Valve Nitrile	Non-Valve EPDM
3/8"	52706JD	52706BJD	52706FJD	52706AJD	52706CJD	52706AFJD
1/2"	52708JD	52708BJD	52708FJD	52708AJD	52708CJD	52708AFJD
3/4"	52712JD	52712BJD	52712FJD	52712AJD	52712CJD	52712AFJD



Reusable Nut Hose End 90° - Black

Size	FKM	Nitrile	EPDM	Non-Valve FKM	Non-Valve Nitrile	Non-Valve EPDM
3/8"	52706JE	52706BJE	52706FJE	52706AJE	52706CJE	52706AFJE
1/2"	52708JE	52708BJE	52708FJE	52708AJE	52708CJE	52708AFJE
3/4"	52712JE	52712BJE	52712FJE	52712AJE	52712CJE	52712AFJE



Female NPT Straight - Black

Size	FKM	Nitrile	EPDM	Non-Valve FKM	Non-Valve Nitrile	Non-Valve EPDM
3/8"	52806	52806B	52806F	52806A	52806C	52806AF
1/2"	52808	52808B	52808F	52808A	52808C	52808AF
3/4"	52812	52812B	52812F	52812A	52812C	52812AF



Female NPT 45° - Black

Size	FKM	Nitrile	EPDM	Non-Valve FKM	Non-Valve Nitrile	Non-Valve EPDM
3/8"	52806D	52806BD	52806FD	52806AD	52806CD	52806AFD
1/2"	52808D	52808BD	52808FD	52808AD	52808CD	52808AFD
3/4"	52812D	52812BD	52812FD	52812AD	52812CD	52812AFD



Female NPT 90° - Black

Size	FKM	Nitrile	EPDM	Non-Valve FKM	Non-Valve Nitrile	Non-Valve EPDM
3/8"	52806E	52806BE	52806FE	52806AE	52806CE	52806AFE
1/2"	52808E	52808BE	52808FE	52808AE	52808CE	52808AFE
3/4"	52812E	52812BE	52812FE	52812AE	52812CE	52812AFE



Male NPT Straight - Black

Size	FKM	Nitrile	EPDM	Non-Valve FKM	Non-Valve Nitrile	Non-Valve EPDM
3/8"	52806J	52806BJ	52806FJ	52806AJ	52806CJ	52806AFJ
1/2"	52808J	52808BJ	52808FJ	52808AJ	52808CJ	52808AFJ
3/4"	52812J	52812BJ	52812FJ	52812AJ	52812CJ	52812AFJ

* Elbows are not recommended for threaded connectors that do not swivel.
See elbow Tech Tip on page 2.



KITS

TRANSMISSION



TRANSMISSION

Changeovers are a breeze with the Jiffy-tite Transmission Kit. By connecting and disconnecting in seconds without any tools you can reduce your time substantially. Simply disconnect the self sealing quick-connect fittings and the job is done with no leaks or mess.

► All kits are available in -6 AN and come standard valved with fluorocarbon (FKM) seals.



Jiffy-tite Transmission kits are available to fit virtually all transmissions.

Part Number	Description
-------------	-------------



200T1	Includes 2 - 12" -6AN steel braided rubber hose, 1/4" NPT with a 1/8" NPT reducer, one plug (22406) and one socket (21406) gold
-------	---



200T1J	Includes 2 - 12" -6AN steel braided rubber hose, 1/4" NPT with a 1/8" NPT reducer, one plug (22406) and one socket (21406J) black
--------	---



200T2	Includes 2 - 12" -6AN steel braided rubber hose, 1/4" NPT with a 1/8" NPT reducer gold
-------	--



200T2J	Includes 2 - 12" -6AN steel braided rubber hose, 1/4" NPT with a 1/8" NPT reducer black
--------	---

Part Number	Description
-------------	-------------



200T2T	Includes 2 - 12" -6AN steel braided PTFE hose, 1/4" NPT with a 1/8" NPT reducer gold
--------	--



200T2JT	Includes 2 - 12" -6AN steel braided PTFE hose, 1/4" NPT with a 1/8" NPT reducer black
---------	---

OETIKER

CLAMPS, KITS & TOOLS

OETIKER CLAMPS & KITS



Oetiker StepLess® Ear Clamp Kit

Kit Item No. 18500061

This kit contains various sizes of Oetiker stainless steel StepLess® Ear Clamps, which provide a uniform compression and a 360° leak-free seal. The clamps have a tamper-proof design and are lightweight and strong. Ideal for many materials. Fast and simple installation

Kit Contents:

Item No.	Size Ref. / Description	Quantity
14100446	Single Action Pincer, Side Jaws	1
16700010	13.3 mm	10
16700013	14.5 mm	10
16700016	15.7 mm	10
16700020	18.5 mm	10
16700026	22.6 mm	10
16700031	25.6 mm	10
16700035	28.6 mm	10
16705637	31.6 mm	10



DualHook Adjustable Ear Clamps 259

Stainless steel | 24.5 – 120.2 mm

Recommended for CVJ Aftermarket. Suitable for TPE and rubber boots.

Optimized interlock design: three dual hooks provide extra high force
Waved band edge with dimples: enhances band strength and avoids risk of breakage

Tongue-in-groove design: provides StepLess® feature for the whole adjustable range and a smooth sliding into the recess

Burr-free strip edges: reduced risk of damage to parts being clamped

Adjustable: providing less part numbers, reduced inventory level



10 Piece Bags

Can also be used to refill Expertainer CVJ Kit (Item No. 18500268)

Item No.	Description	Diameter	Quantity
18500260	24.5-906R Adjustable Clamp	024.5	10
18500261	25.9-906R Adjustable Clamp	025.9 - 027.6	10
18500262	29.0-906R Adjustable Clamp	029.0 - 030.7	10
18500263	35.6-906R Adjustable Clamp	032.1 - 037.3	10
18500264	43.9-906R Adjustable Clamp	038.7 - 047.3	10
18500265	65.9-906R Adjustable Clamp	048.7 - 065.9	10
18500266	93.1-906R Adjustable Clamp	067.3 - 093.1	10
18500267	120.2-906R Adjustable Clamp	094.5 - 0120.2	10

OETIKER CLAMPS & KITS



Stepless® Ear Clamps 167

Stainless Steel

Recommended for various Automotive and Industrial Applications. Lightweight, strong, tamper-proof design. Ideal for many materials. Fast & simple installation.

Narrow band: concentrates transmission of clamping force, less weight

StepLess® over 360°: uniform compression and surface pressure

Clamp ear: compensates for component tolerances, adjustable surface pressure

Dimple: increases clamping force, spring-effect compensates for changes in diameter due to thermal expansion

Burr-free strip edges: reduces risk of damage to parts being clamped

Item No.	Size Ref. (mm)	Range (mm) closed - open
16700010	13.3 - 706R	10.8 - 13.3
16700013	14.5 - 706R	12.0 - 14.5
16700016	15.7 - 706R	13.2 - 15.7
16700020	18.5 - 706R	15.3 - 18.5
16700026	22.6 - 706R	19.4 - 22.6
16700031	25.6 - 706R	22.4 - 25.6
16700035	28.6 - 706R	25.4 - 28.6
16705637	31.6 - 706R	28.4 - 31.6



Expertainer 2-Wheeler Assortment Kit

Kit Item No. 18500219

Recommended for the 2-Wheeler market for Oil Cooler Lines, Fuel Injection, Fuel Filter, Cooling and Air Intake applications

- All clamp sizes in one reusable box, can be refilled
- Perfect for garages, easy to store, Aftermarket OEM quality to go
- OEM design to meet all OE requirements
- Quick and easy installation to save time

Kit Contents:

Item No.	Size Ref. (mm)	Diameter Range	Quantity
StepLess® Ear Clamps 167			
16700006	10.5-505R	ø 8.8 - 10.5 mm	10
16700009	12.3-706R	ø 9.8 - 12.3 mm	10
16700011	13.8-706R	ø 11.3 - 13.8 mm	10
16700013	14.5-706R	ø 12.0 - 14.5 mm	10
16700016	15.7-706R	ø 13.2 - 15.7 mm	10
16702498	19.8-706R	ø 16.6 - 19.8 mm	10
16700024	21.0-706R	ø 17.8 - 21.0 mm	10
16700026	22.6-706R	ø 19.4 - 22.6 mm	10
Adjustable Ear Clamps 163			
16300022	30.0-706R	ø 23.6-30.0 mm	5
Worm Drive Clamps 126			
12600452	09/012020 W2	ø 12.0-20.0 mm	5

OETIKER TOOLS & KITS



Hand Installation Pincers

For installation of Oetiker Ear Clamps.

- Quick and easy installation
- Exponential gain of mechanical advantage
- Secure grip and comfort
- Reduced fatigue and risk of repetitive injury

Item No.	Description
14100496	Compound Action Pincer, Standard Jaws, Straight Handles
14100499	Compound Action Pincer, Side Jaws, Curved Handles



Hand Clamp Cutters

For disassembly of Oetiker Ear Clamps only.

- Specially designed to cut ear clamps up to:
 - 9.0 mm width x 0.6 mm thickness
 - 7.0 mm width x 0.8 mm thickness
- “No-Crimp™” Jaws, for cutting only
- Protective hand grip
- The easiest and safest method for ear clamp removal

Item No.	Description
14100519	Disassembling Pincer HCC 2000 519



Expertainer CVJ Kit

Recommended for Constant Velocity Joints TPE and Rubber Boots.
Item No. 18500268

- All clamp sizes in one reusable box, can be refilled
- Perfect for garages, easy to store

Kit Contents:

DualHook Adjustable Ear Clamps 259

Item No.	Nominal Diameter	Quantity
25900000	Ø 24.5 mm	20
25900001	Ø 25.9 - 27.6 mm	20
25900002	Ø 29.0 - 30.7 mm	20
25900003	Ø 32.1 - 37.3 mm	25
25900004	Ø 38.7 - 47.3 mm	10
25900005	Ø 48.7 - 65.9 mm	10
25900006	Ø 67.3 - 93.1 mm	12
25900007	Ø 94.5 - 120.2 mm	7



[oetiker.com](https://www.oetiker.com)



[motorsports.jiffy-tite.com](https://www.motorsports.jiffy-tite.com)

ONY warrants its products to be free from defects in material and workmanship. Subject to limitations set forth herein, ONY further warrants that each product will substantially perform in accordance with the description of such product set forth in the relevant ONY sales material. The exclusive remedy for either (i) defective materials or workmanship, (ii) or the failure of an ONY product to perform as described in the relevant sales materials, is limited to replacement or repair of the defective product if returned to ONY within six (6) months after the shipping date. However, the purchaser shall be entitled to no remedy if the alleged defect of an ONY product is caused in whole or in part by: (i) the failure of the purchaser to follow installation procedures provided by ONY and/or shown in ONY's catalogs; and/or (ii) the failure of the purchaser to use installation tools endorsed by ONY. Except as expressly provided herein, ONY does not make any warranty or representation, express or implied, with respect to its products, including, without limitation, any implied or expressed warranty of merchantability or fitness for a particular purpose. In addition, under no circumstances shall ONY be liable for lost profits, lost savings, or other consequential, incidental, special, or indirect damages, or for acts of negligence that are not intentional or reckless in nature regardless of whether it has been advised of the possibility of such damages. Racing is a dangerous activity. The user of all ONY products shall determine the suitability and safety of the product for its intended use, and the user assumes all responsibility and risk in connection therewith.